

Use and maintenance

SUPERFREEZER ECO MOD. 130



fiocchetti
THE COLD MANUFACTURER

Setting up

- Avoid positioning the appliance in direct sunlight, radiators and similar sources of heat.
- The floor on which the appliance stands should be horizontal and level. To compensate for any unevenness, adjust the height of the feet with the open-ended wrench supplied.
- Always position the appliance directly up against the wall.
- The ventilation grilles should not be obstructed. Always ensure that there is good ventilation and that the outward flowing air is able to escape.
- Condensation may form on the outside of the refrigerator/freezer during periods of high humidity. Constant ventilation of the installation site is recommend.

- In order to avoid the risk of fire, do not place any burning candles, lamps or other objects with open flames on the refrigerator/freezer.
- Standard EN 378 specifies that the room in which you install your appliance must have a volume of 1 m³ per 8 g of R 600a refrigerant used in the appliance, so as to avoid the formation of inflammable gas/air mixtures in the room where the appliance is located in the event of a leak in the refrigerant circuit. The quantity of refrigerant used in your appliance is indicated on the type plate on the inside of the appliance.

Connecting to the mains

Power supply (a.c.) and voltage at the operating point must comply with the details on the type plate, which is located in the freezerr compartment on the left-hand side. The socket must be fused with a 10 A fuse or higher, it must be away from the rear of the appliance and must be easily accessible.

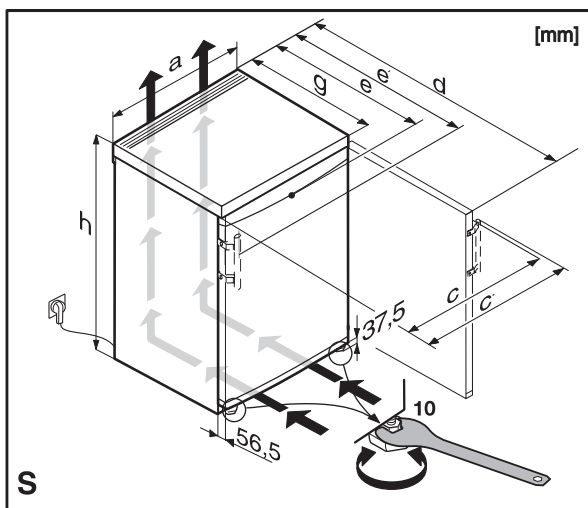
- Do not connect the appliance to the supply with other equipment using an extension cable - risk of overheating.
- **Connect the appliance with a properly earthed fused plug and socket only.**

The wires in the mains lead are coloured in accordance with the following code: green/yellow = earth, blue = neutral, brown = live.

Warning! This appliance must be earthed.

Dimensions (mm)

	h	a	g	e	e'	d	c	c'
	851	553	611	624	653	1129	563	592



Switching the appliance on and off

You are recommended to clean the appliance before switching it on for the first time (see "Cleaning"). Connect the appliance to the mains - the appliance is switched on.

- The two illuminated dashes of the digital temperature display will light up until a temperature of 0°C is reached.
- If the temperature is below 0°C, the digital temperature display will show the temperature inside the appliance.

- **To switch the appliance off:** Press the **ON/OFF** button so that the temperature display goes dark.

- **To switch the appliance on:** Press the **ON/OFF** button until the temperature display lights up.



Setting the temperature

The appliance is pre-set for normal operation (-18°C).

- **To increase the temperature:**

Press the top button.



- **To reduce the temperature:**

Press the bottom button.



- While you are entering the temperature, the set temperature will flash on the display.
- You can change the settings in increments of 1°C briefly pressing the button again. If the buttons are held down the temperature setting will change faster.
- The electronic controls will switch over automatically about 5 seconds after the last time you pressed the button, and the actual temperature in the freezer will be displayed.

Control elements

Temperature display

The temperature display indicates the highest temperature in the freezer. The display is designed so that only temperatures below 0°C are displayed.



Temperature alarm

If the temperature display is flashing, this indicates that the temperature has risen too high. The audible warning signal will sound at the same time. Press the "ALARM" button to switch the signal off.



When the temperature drops again and reaches about -13°C, the temperature display will stop flashing and will light constantly.

If F4 or F5 appears in the display, the appliance has a fault. It will be kept at the right temperature by means of a safety circuit. Consult your nearest customer service point.

Control elements

The "SUPERFROST" lamp

lights up when the "SUPERFROST" facility is switched on for freezing large quantities.



Power failure "frost-control" display

If nA appears in the display, this means that the freezer temperature has risen too high during the last few hours or days due to a power failure.



If you press the "ALARM" button whilst the display is reading nA, the highest temperature registered during the power failure will be displayed.



The highest temperature will appear for approx. 1 minute. After that, the actual temperature in the freezer will re-appear. The display can be switched off by repeatedly pressing the "ALARM" button.

Audible warning signal

The audible warning device helps to protect the frozen food and to save energy.

- It sounds when it is not cold enough in the freezer compartment. The temperature display will also flash;
- when too much warm air from the outside enters when inserting, re-arranging or removing products.

The audible warning device is switched off by pressing the "ALARM" button. The temperature display will continue to flash until the cause of the alarm has been rectified.








Child-proof lock

The child-proof lock is designed to protect the appliance from being switched off accidentally.

Switching on the child-proof lock









- Keep the "SuperFrost" button pressed for 5 sec.

- The display reads *c (*c flashes) 
- Press the "SuperFrost" button
- The display reads *c0 (*0 flashes) 
- Press the Up button
- The display reads *c1 (*1 flashes) 
- Press the "SuperFrost" button
- The LED  will come on (*c flashes) 
- Press the "ON / OFF" button.

The child-proof lock is now switched on.

Switching off the child-proof lock

- Keep the "SuperFrost" button pressed for 5 sec.

- The display reads *c  (*c flashes) 
- Press the "SuperFrost" button
- The display reads *c1  (*1 flashes) 
- Press the Down button
- The display reads *c0  (*0 flashes) 
- Press the "SuperFrost" button
- The LED  goes dark (*c flashes) 
- Press the "ON / OFF" button.

The child-proof lock is now switched off.

Freezing with Superfrost

- Press the Superfrost button. The Superfrost lamp comes on.



- For small amounts of frozen 6 hours is sufficient. The maximum amount requires 24 hours.
- The Superfrost function switches off automatically. Depending on the quantity placed in the freezer, this will normally be between 30 and max. 65 hours. The appliance will then switch back to the previously set temperature.

NB: When you press the Superfrost button, the compressor might not switch on for up to 8 minutes. This is due to the integrated rise-delay switch which is designed to increase the life span of the refrigeration unit.

Note: To save energy, "Superfrost" can be switched off before the 30 hours have elapsed by pressing the SF button again. Ensure that the temperature is at least -18°C.

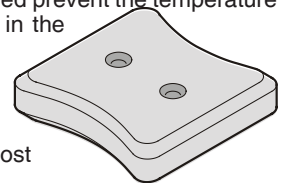
You should not switch on the Superfrost function:

- when placing frozen food in the freezer;
- when freezing up to approx. 2 kg products daily.

Cold-storage accumulators

The cold-storage accumulators provided prevent the temperature in the freezer from rising too quickly in the event of a power failure

To ensure maximum storage time in the event of a power failure, place the cold-storage accumulators in the top-most freezer drawer.



Defrosting

After the appliance has been in operation for some time, a layer of frost or ice will form on the inside walls. This increases energy consumption.

You should therefore defrost the appliance regularly.

- Switch the appliance off to defrost. Press the **ON/OFF** button so that the temperature display goes dark.
- Remove the drawers and glass shelves.

- To speed up the defrosting process put a saucepan of hot water on the compartment floor.
- Leave the door of the appliance open while defrosting. After defrosting mop up the remaining water and clean the appliance.

Do not use any mechanical devices or other artificial aids for defrosting other than those recommended by the manufacturer.

Cleaning

Before cleaning always switch off the appliance. Pull out the mains plug or remove/unscrew the fuse.

Clean the inside, equipment parts and outer walls with lukewarm water and a little detergent. Do not use abrasive or acid cleaners or chemical solvents.

Do not use steam cleaners because of the risk of injury and damage.

- Use a commercially available stainless-steel cleaning agent for **stainless-steel appliances**.
- In order to achieve best possible protection, apply a stainless-steel care agent uniformly in grinding direction after cleaning. Points which are darker at the start and a more intensive coloration of the stainless-steel surface are normal.
- Do not use abrasive sponges or scourers, do not use concentrated cleaning agents and never use cleaning agents containing sand, chloride or acid or chemical solvents, as these would damage the surfaces and could cause corrosion.
- We recommend using a soft cloth and an all-purpose cleaner with a neutral pH value. Only use food safe cleaning materials inside the appliance.
- Ensure that no cleaning water penetrates into the electrical components or ventilation grille.
- Dry all parts well with a cloth.
- The dust should be removed from the refrigeration unit and heat exchanger – metal grid at the back of the appliance – once a year.
- Do not damage or remove the type plate on the inside of the appliance. It is very important for servicing purposes.

Shutting your appliance down

If your appliance is to be shut down for any length of time, switch it off and disconnect the plug or remove the fuse. Clean the appliance and leave the door open in order to prevent unpleasant smells.

The refrigerant circuit has been tested for leaks. The appliance complies with current safety regulations and EC directives 2006/95/EC and 2004/108/EC.

All types and models are subject to continuous improvement and the manufacturer therefore reserves the right to make modifications to the shape, equipment and technology.

Malfunctions

Your appliance is designed and manufactured for a lengthy, reliable operating life with no malfunctions. If a malfunction nonetheless occurs during operation, check whether it is due to an operating error. Please note that even during the warranty period the resultant servicing costs in this case will have to be borne by the owner.

You may be able to rectify the following faults by checking the possible causes yourself:

- **Appliance does not function:** the control lamps are not lit.
 - Is the appliance switched on?
 - Is the plug correctly fitted in the mains socket?
 - Is the socket fuse intact?
- **Loud running noise:**
 - Is the appliance set up firmly on the floor?
 - Does the appliance cause nearby items of furniture or objects to vibrate? Please note that noises caused by the refrigerant circuit cannot be avoided.
- **The temperature is not low enough:**
 - Is the temperature setting correct (see "Setting the temperature")?
 - Have excessive amounts of products been placed in the appliance? Observe the temperature display for a further 24 hours.
 - Does the separately installed thermometer show the correct reading?
 - Is the ventilation system working properly?
 - Is the appliance set up too close to a heat source?

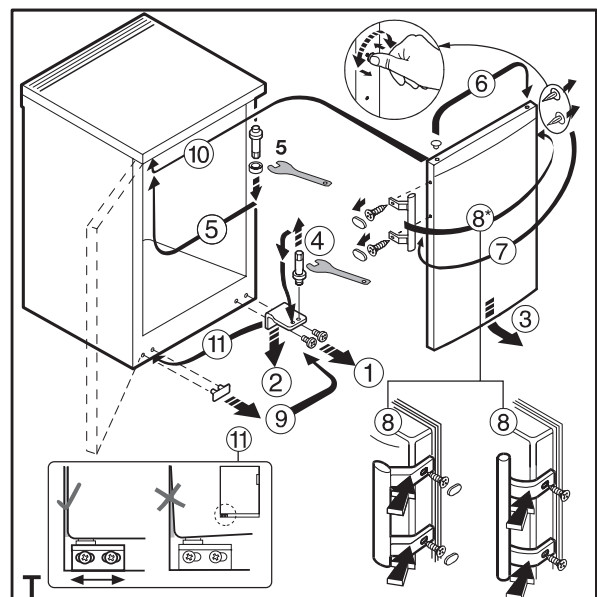
If none of the above causes apply and you cannot rectify the fault yourself, contact the nearest customer service department.

Please state the
appliance designation
serial number

of the rating plate. The type plate is located in the freezer compartment on the left-hand inside wall, next to the top freezer drawer. Keep the door closed if there is a fault. This will stop cold from escaping and the temperature from rising.

Changing over door hinges

Fig. T: You can change over the door hinges if necessary. Follow the order of the positions illustrated in fig. T.



Space reserved for the data sheet with the characteristics of the appliance



Space reserved for the stamp of the distributor



fiocchetti
THE COLD MANUFACTURER

C.F di Ciro Fiocchetti & C. s.n.c.

Via Lorenzini 53 - 42045 Luzzara (RE) - Italy

tel. +39 0522 976232 - fax +39 0522 976028

www.fiocchetti.it - info@fiocchetti.it